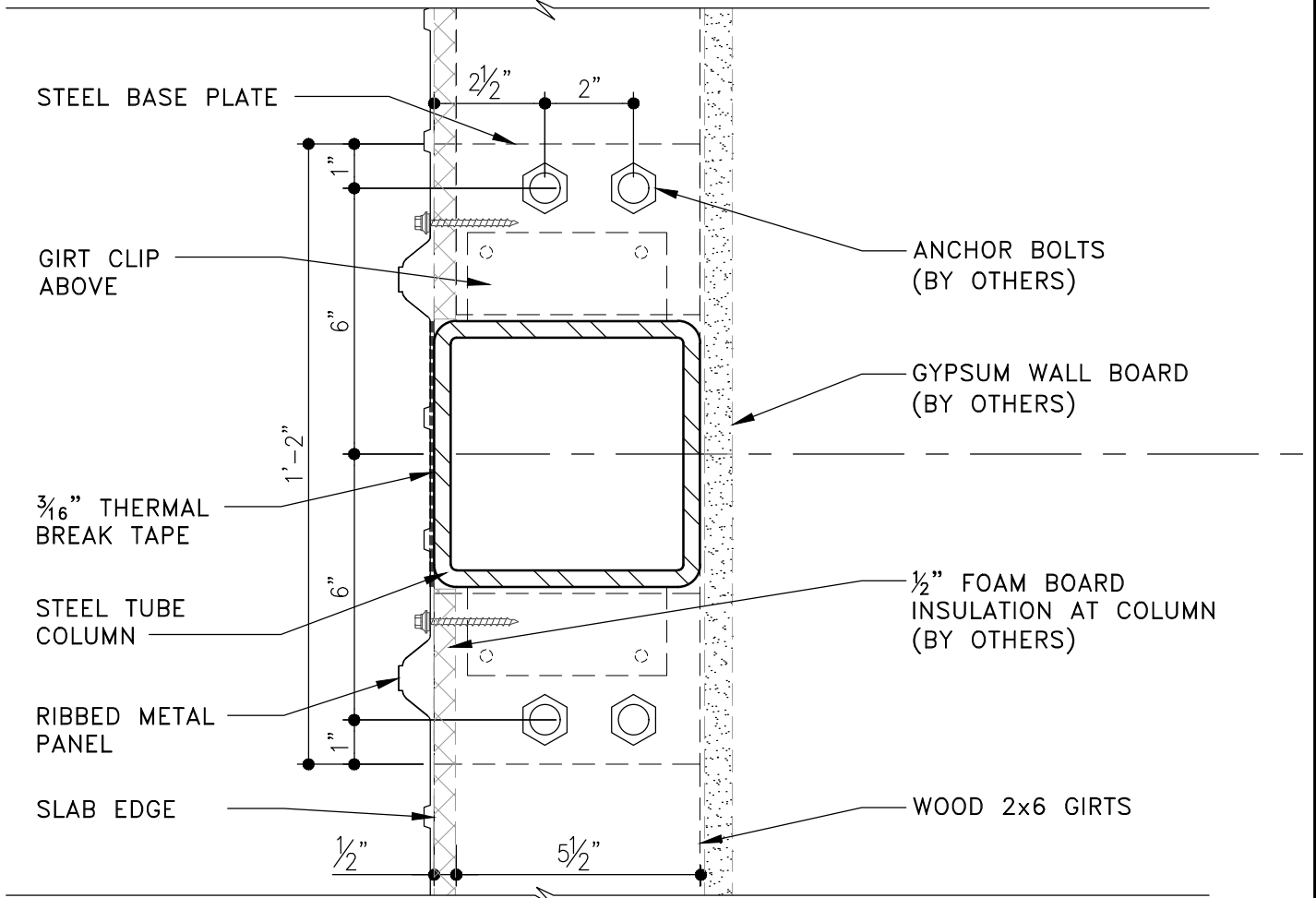


BASE SECTION DETAIL



PLAN DETAIL

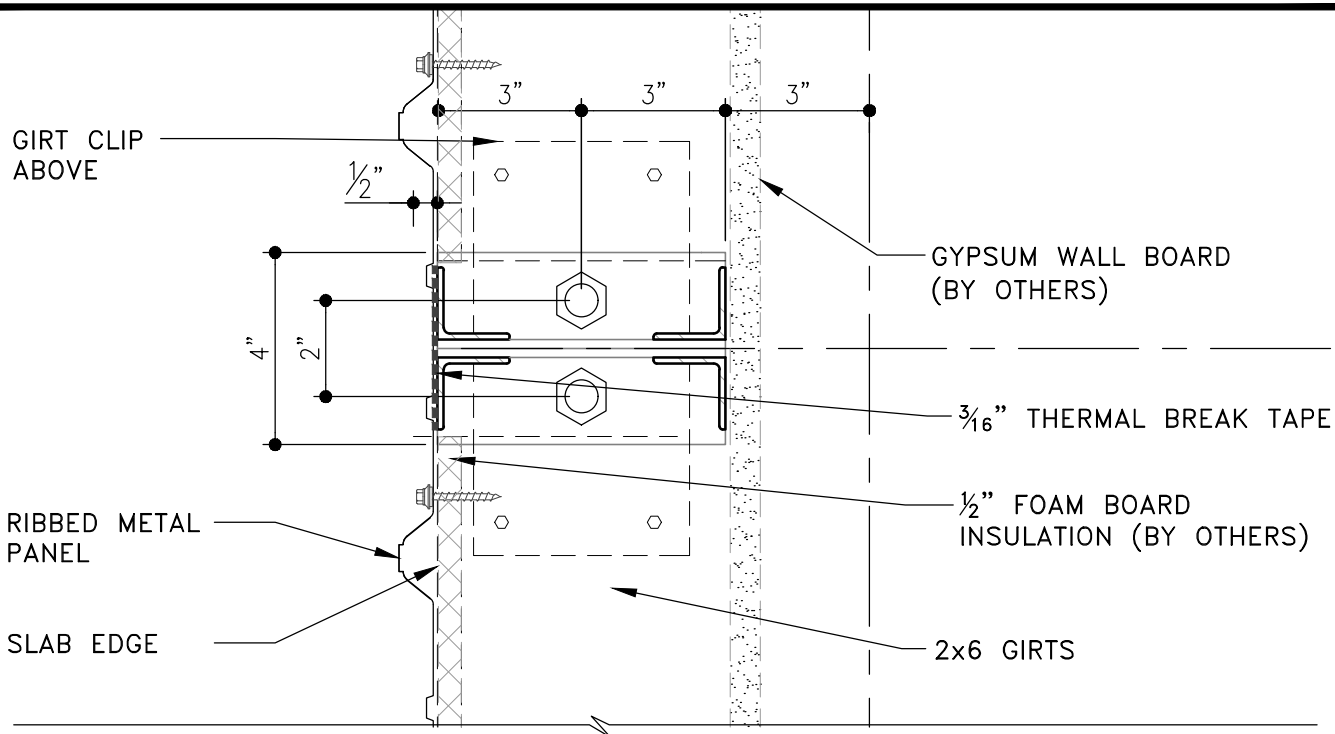
9/2017



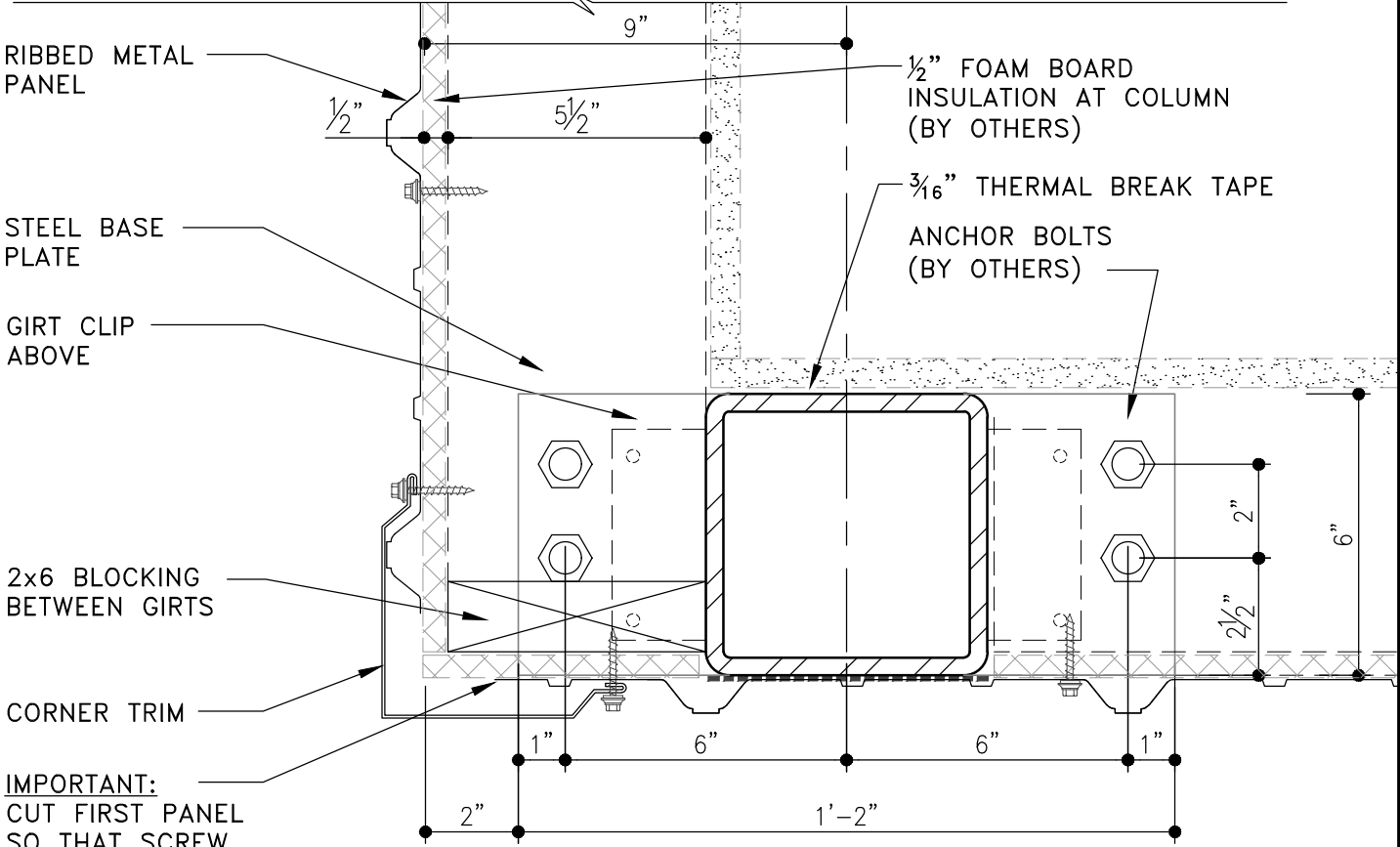
Worldwide Steel Buildings  
 PO Box 588  
 Peculiar, MO 64078  
 Fax: 816.779.7361  
 Phone: 816.779.6441

*Tube Sidewall Column*  
 2x6 Girt/Thermal Break & 1/2" Insul. Board

DW  
 201a



END WALL COLUMN (SEE DS 104)



CORNER PLAN DETAIL

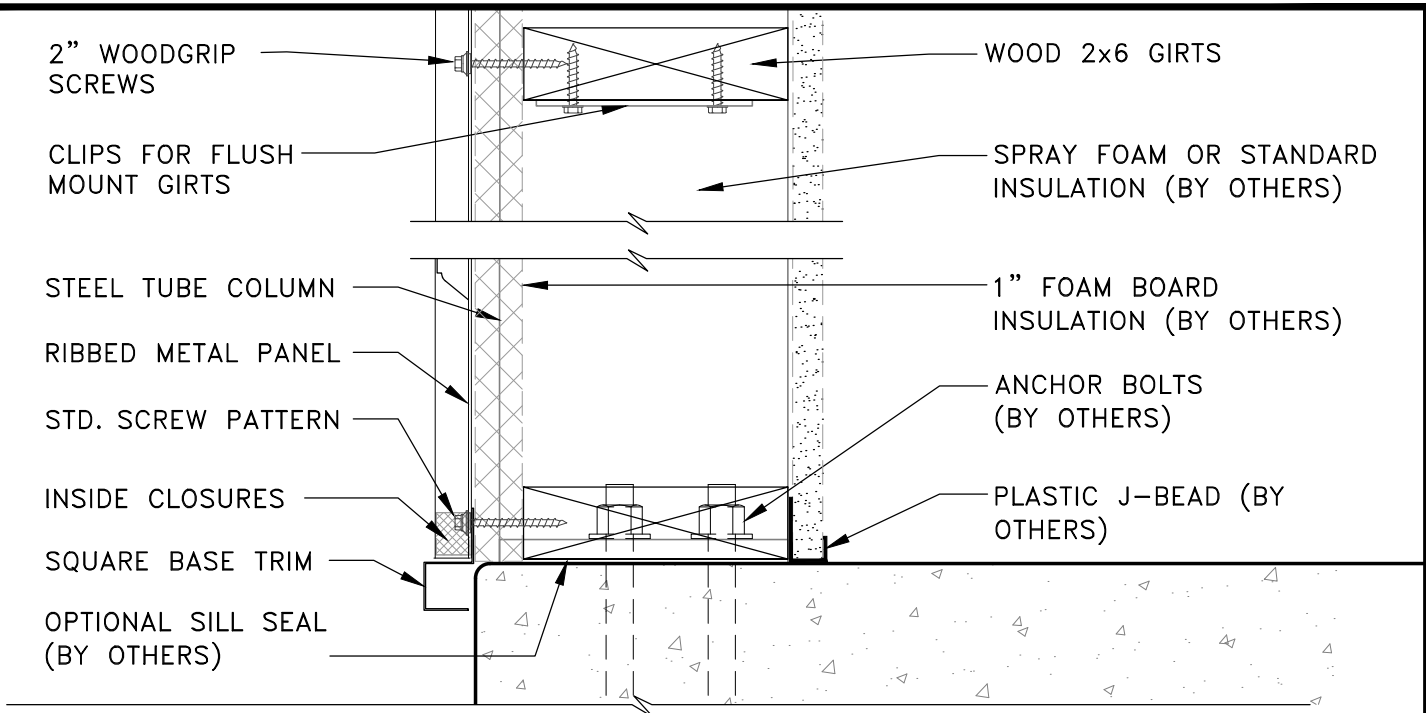
9/2017



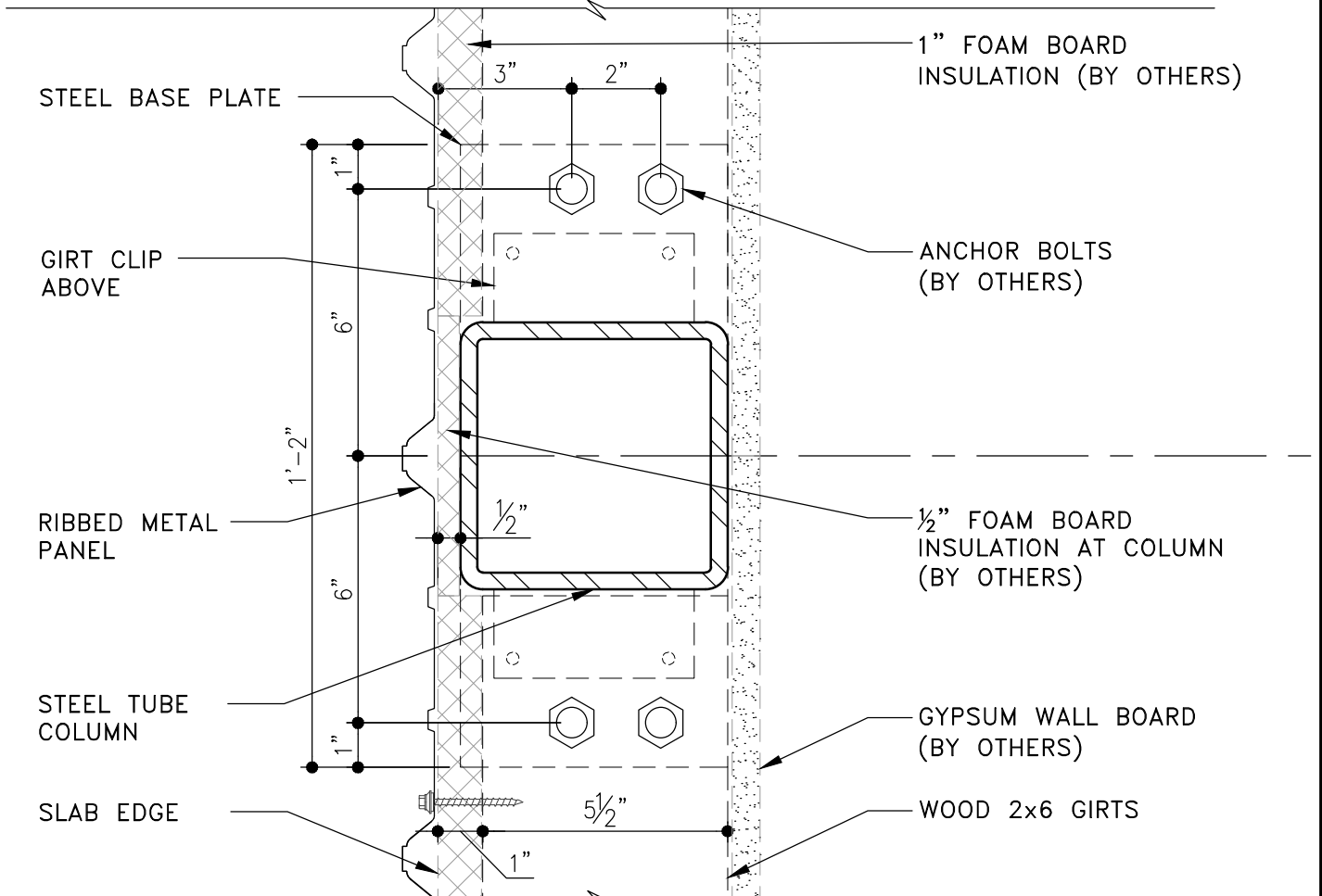
Worldwide Steel Buildings  
 PO Box 588  
 Peculiar, MO 64078  
 Fax: 816.779.7361  
 Phone: 816.779.6441

*Tube Column at Corner*  
 2x6 Girt/Thermal Break & 1/2" Insul. Board

DW  
 207a



BASE SECTION DETAIL



PLAN DETAIL

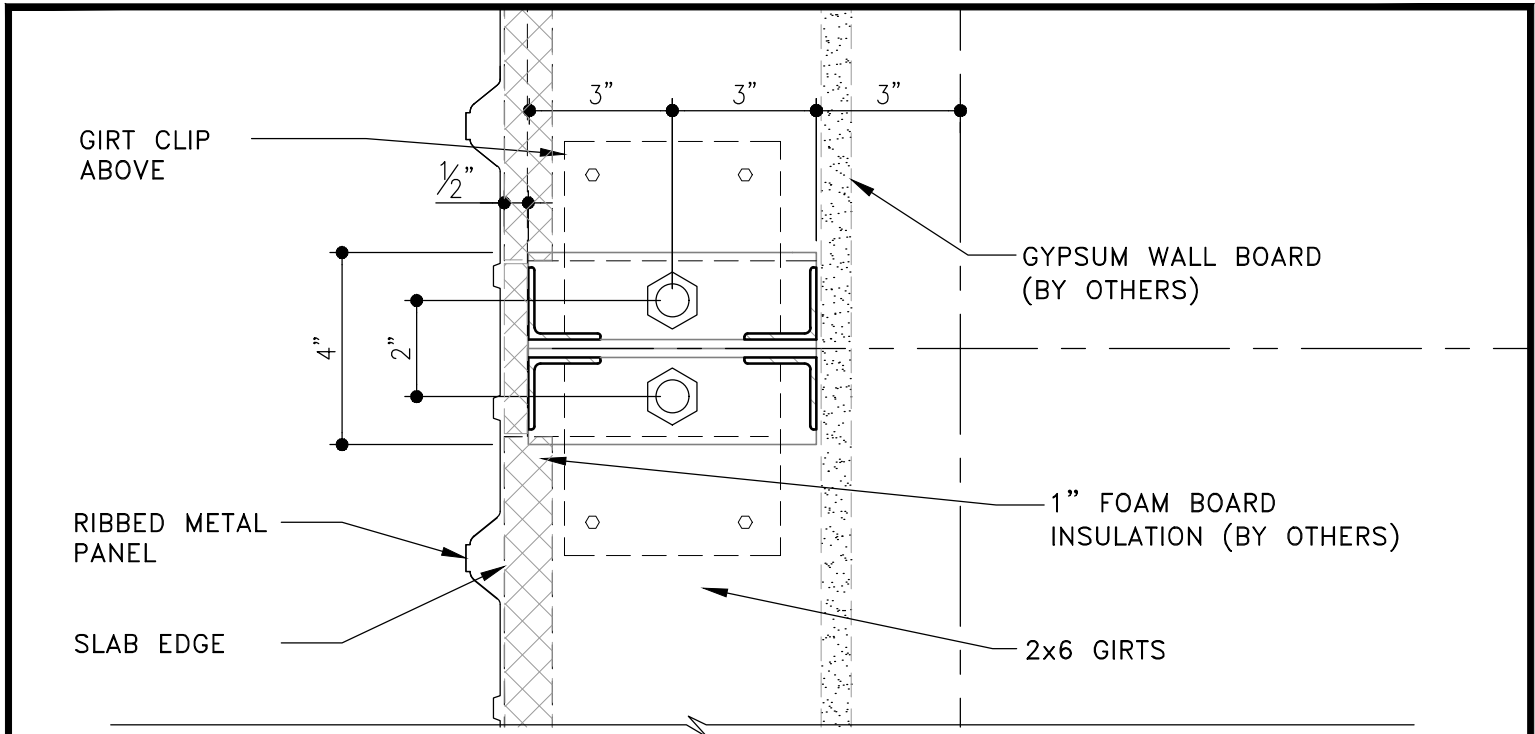
9/2017



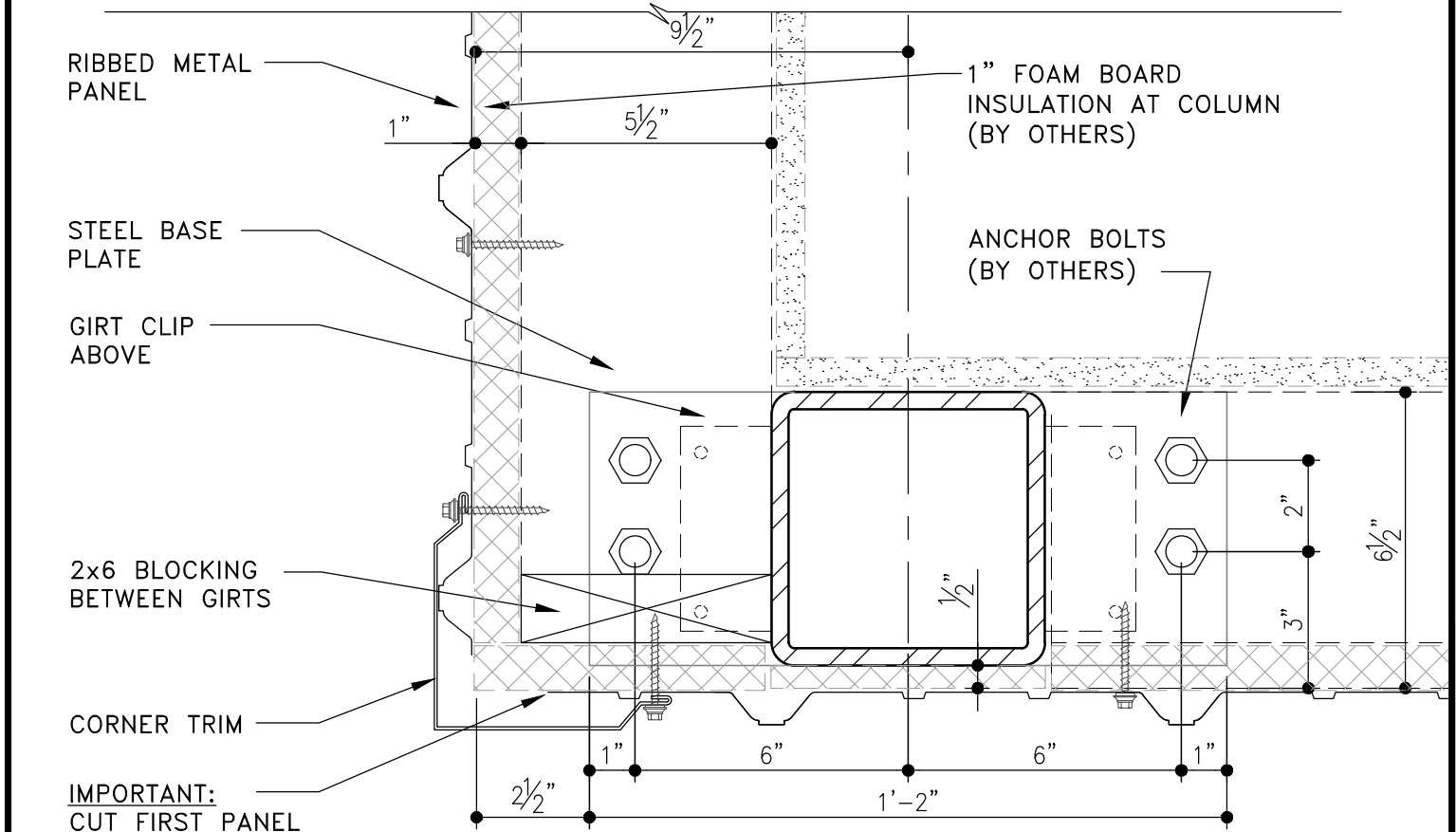
Worldwide Steel Buildings  
 PO Box 588  
 Peculiar, MO 64078  
 Fax: 816.779.7361  
 Phone: 816.779.6441

*Tube Sidewall Column*  
 1/2" to Slab, 2x6 Girt, Continuous Insul.

*DW*  
*201b*



END WALL COLUMN



**IMPORTANT:**  
CUT FIRST PANEL  
SO THAT SCREW  
PATTERN DOES NOT  
HIT TUBE COLUMNS

CORNER PLAN DETAIL

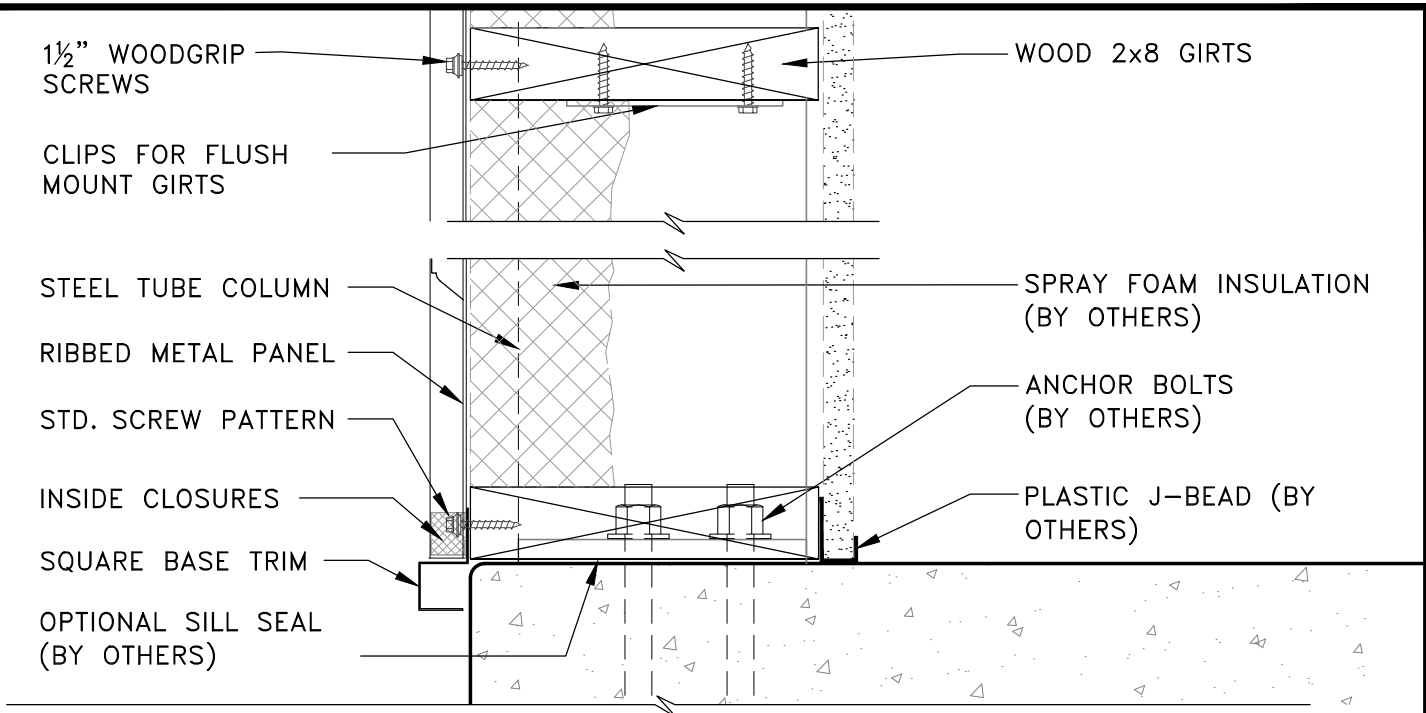
9/2017



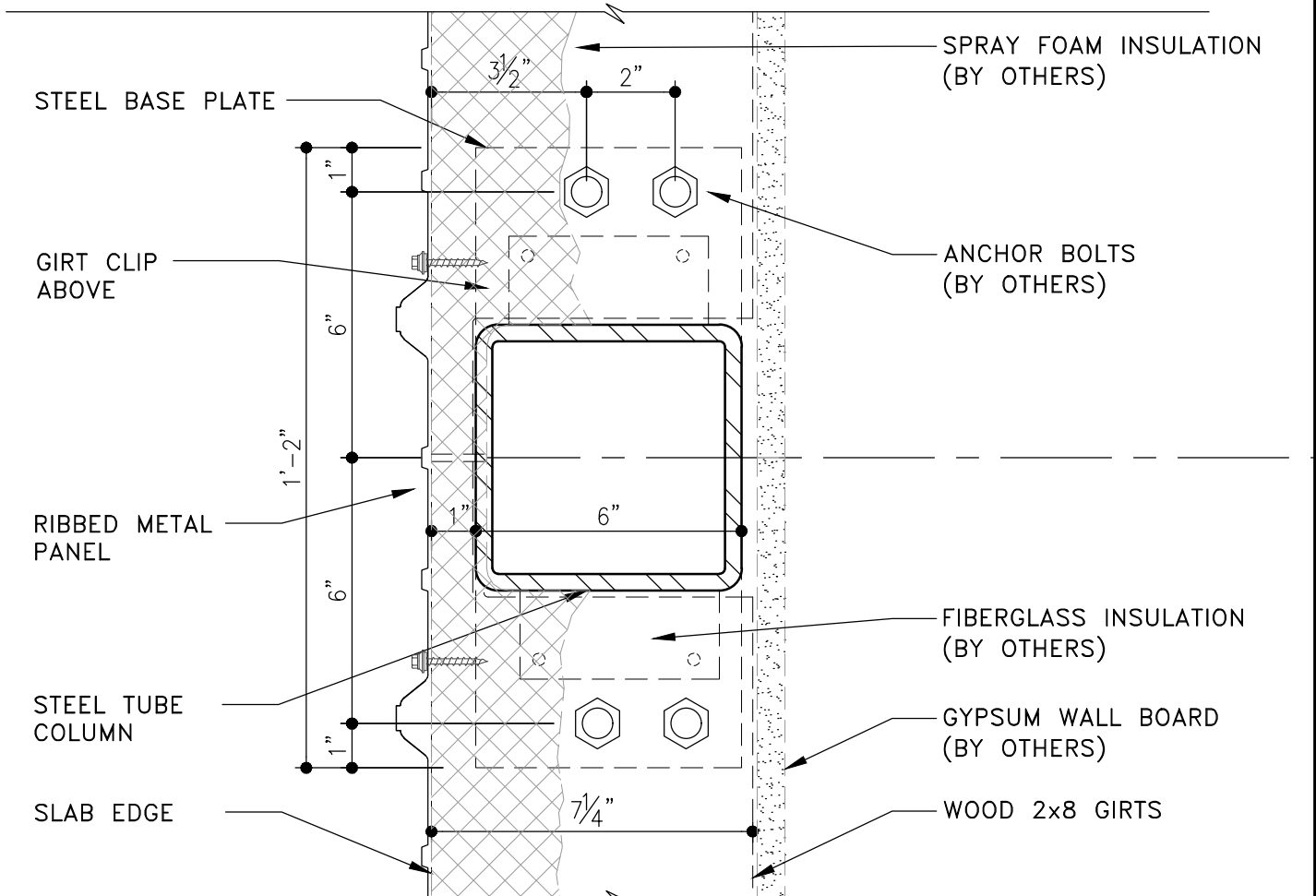
Worldwide Steel Buildings  
PO Box 588  
Peculiar, MO 64078  
Fax: 816.779.7361  
Phone: 816.779.6441

*Tube Column at Corner*  
*1/2" to Slab, 2x6 Girt, Continuous Insul.*

*DW*  
*207b*



BASE SECTION DETAIL



PLAN DETAIL

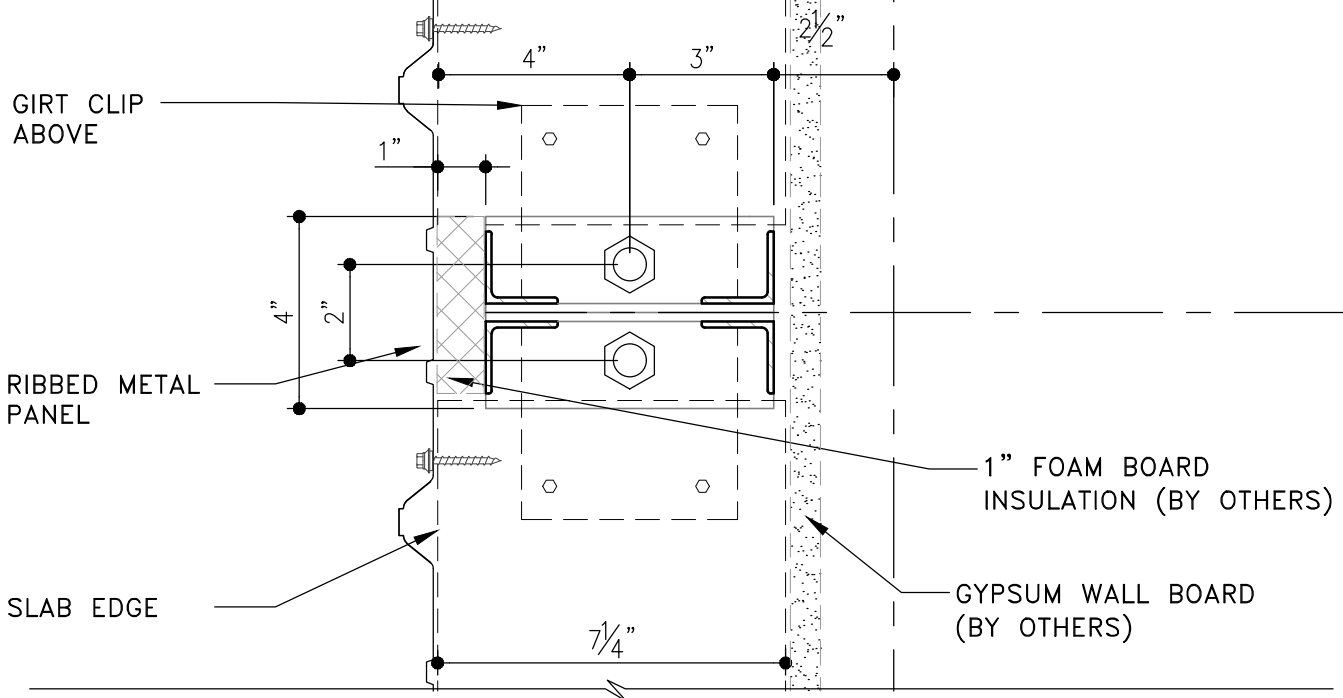
9/2017



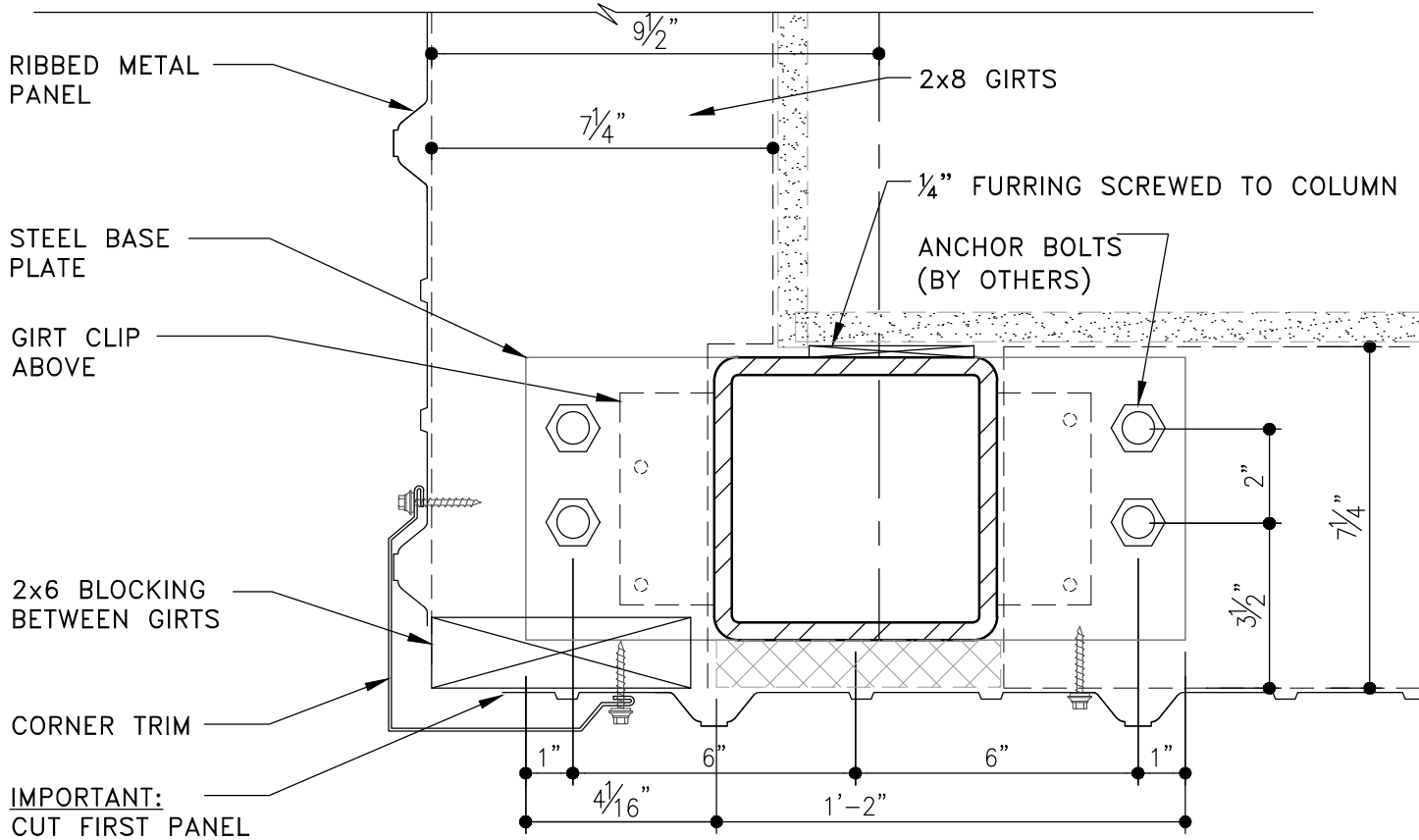
Worldwide Steel Buildings  
 PO Box 588  
 Peculiar, MO 64078  
 Fax: 816.779.7361  
 Phone: 816.779.6441

*Tube Sidewall Column*  
 2X8 w/ Spray Insulation - Plan & Sect.

DW  
 201c



END WALL COLUMN (SEE DS 104)



**IMPORTANT:**  
 CUT FIRST PANEL  
 SO THAT SCREW  
 PATTERN DOES NOT  
 HIT TUBE COLUMNS

CORNER PLAN DETAIL

9/2017



Worldwide Steel Buildings  
 PO Box 588  
 Peculiar, MO 64078  
 Fax: 816.779.7361  
 Phone: 816.779.6441

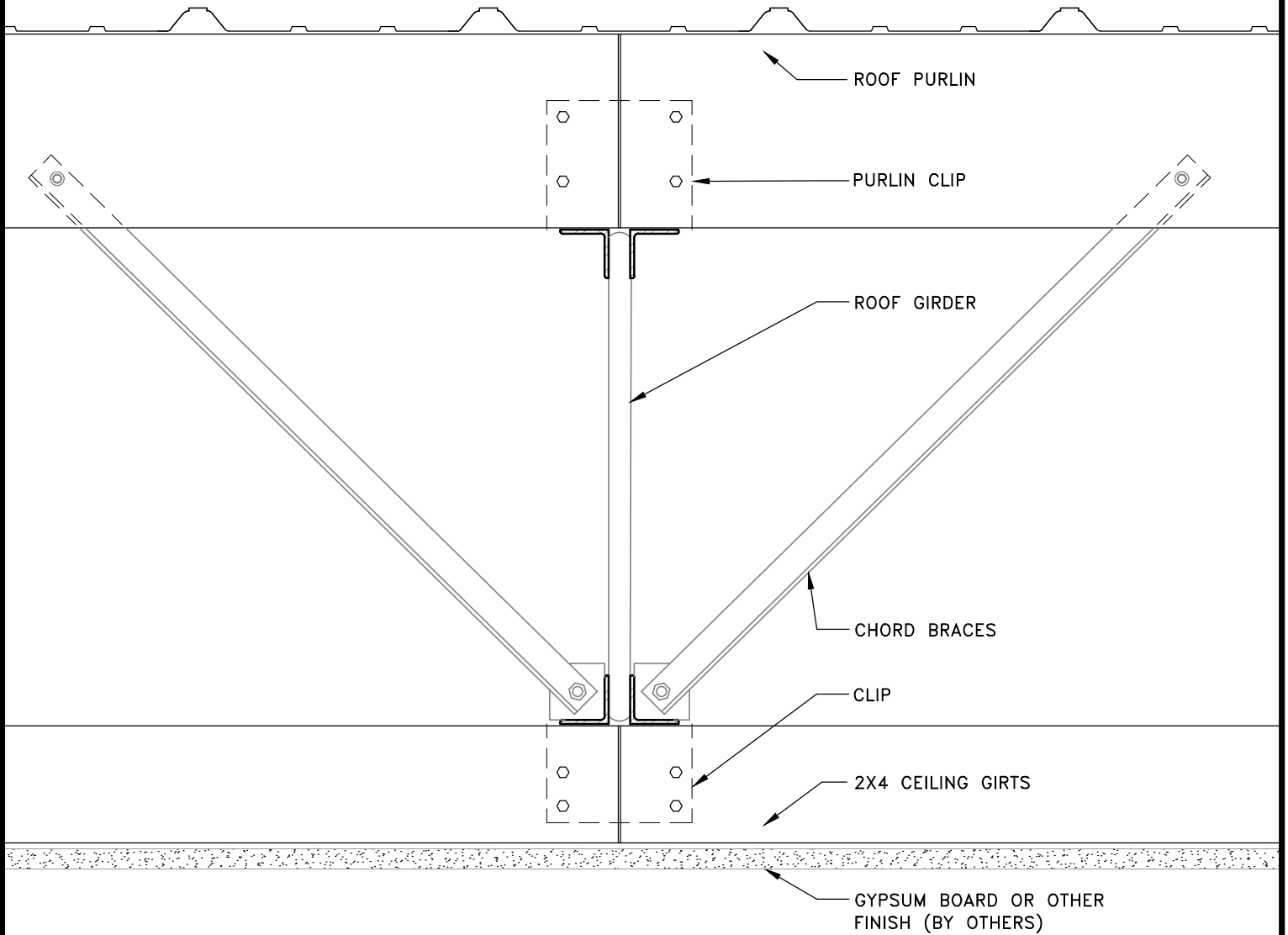
*Tube Column at Corner*  
 2x8 Girts - Plan

*DW*  
 207c

DT  
A-A

2x4 GIRTS ON CLIPS ATTACHED  
TO BOTTOM OF ROOF GIRDERS

BUILDING SECTION



DETAIL A-A at ROOF GIRDER

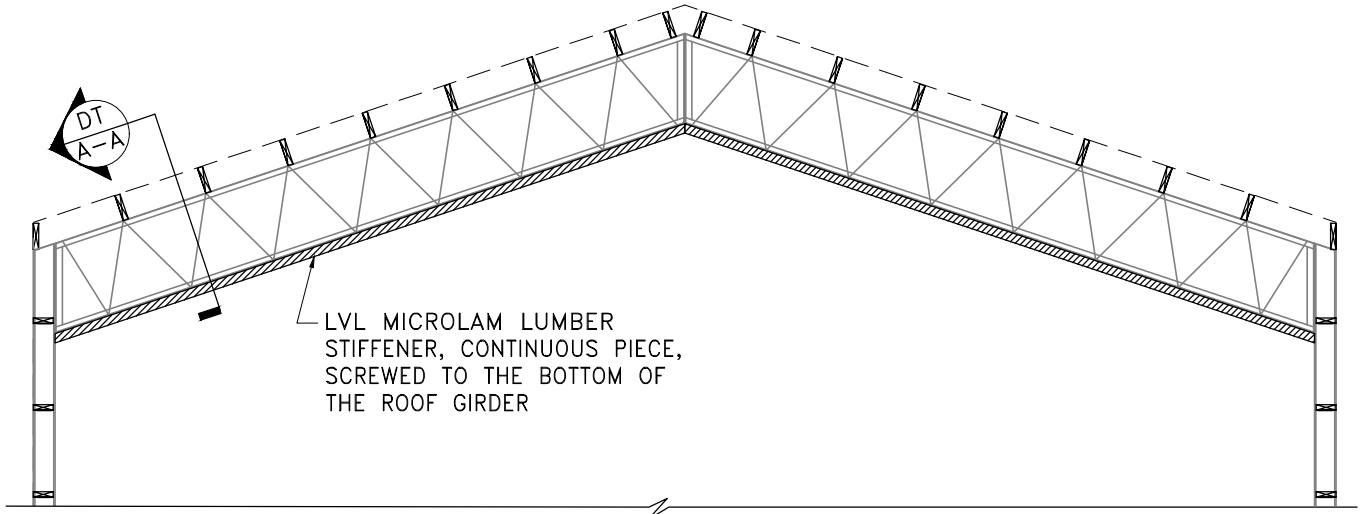
07-20-17



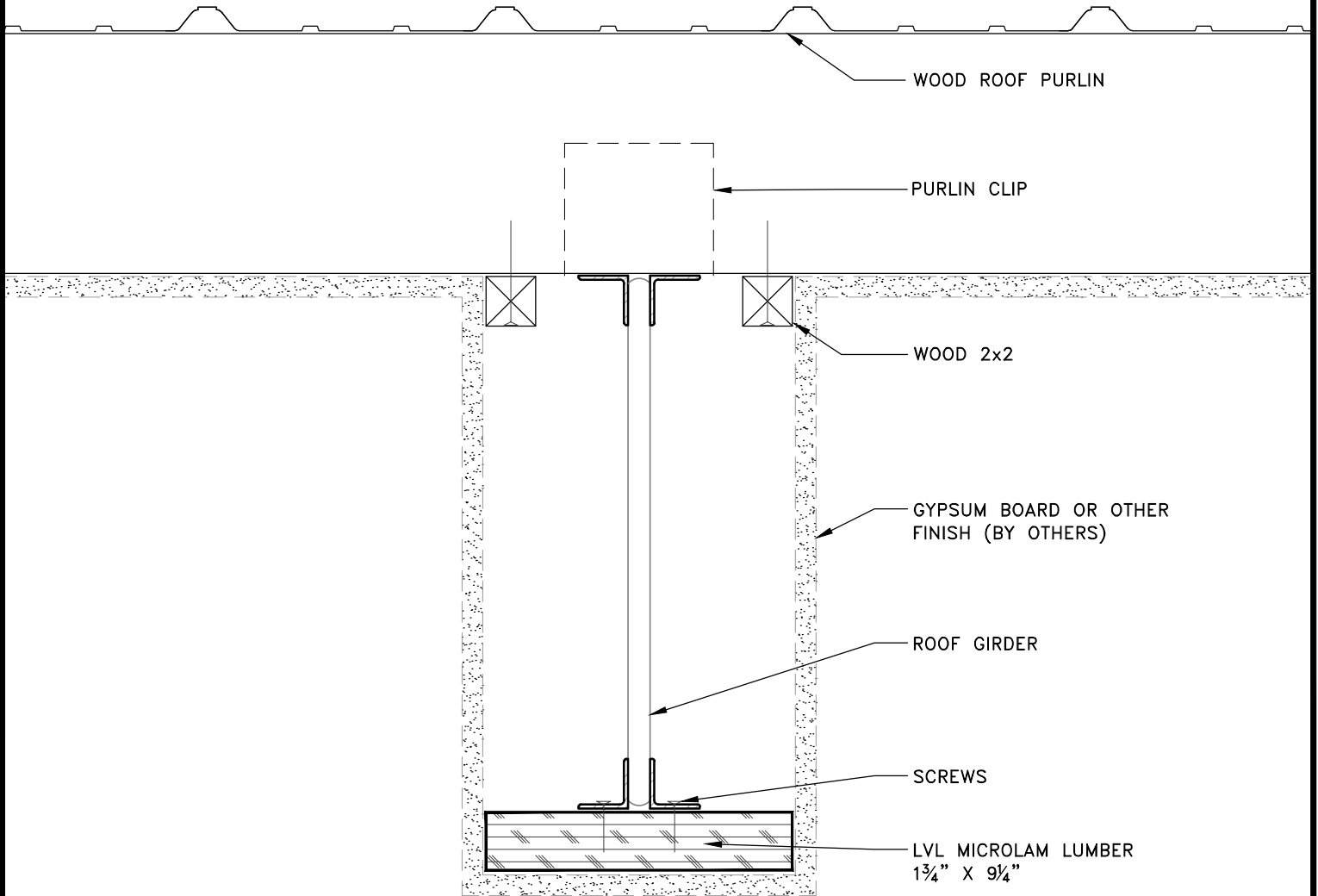
Worldwide Steel Buildings  
PO Box 588  
Peculiar, MO 64078  
Fax: 816.779.7361  
Phone: 816.779.6441

*Ceiling Below Roof Girders*  
*Ceiling Girts and Clips*

*DW*  
*208a*



BUILDING SECTION



DETAIL A-A at ROOF GIRDER

07-20-17



Worldwide Steel Buildings  
 PO Box 588  
 Peculiar, MO 64078  
 Fax: 816.779.7361  
 Phone: 816.779.6441

*Finish Wrap of Roof Girder*  
*Stiffener Added Omit Chord Braces*

*DW*  
*208b*